

Behavioural Bed B-M-AC-PSYCH



Three-Function Manual Bed



Metal Siderails Available

Key Features:

- Hi and Low hydraulic movement
- Stationary litter sections optional
- Sturdy and secure siderails
- Manually adjustable head and foot
- Restrain loops
- Mattress retainer
- Removable brake pedal
- 300 lbs (136 kg) weight capacity
- Minimal gaps and openings on surface of bed

Amico's Behavioural Bed is designed to meet the requirements specific to the behavioural environment. Features include: A hydraulic foot pump that allows caregivers to manually raise and lower the bed. Unique tie down restraints that allow the caregivers to conveniently restrain the patient. Dual foot tie downs allows for various patient heights. Removable brake handle to prevent patients from accessing the brake system, secure siderails, manual head adjustment, and knee gatch. The Behavioural Bed has been custom tailored by some of the industry leaders to provide you this unique product.

Technical Specifications



Model Number

Model Number

B-M-AC-PSYCH

Overall Dimensions

Overall Length

84" (213 cm)

Overall Width

43" (109 cm)

Litter Positioning

Backrest

0° - 60°

Knee Gatch

0° - 23°

Height Range

Lowest

17" (43 cm)

Highest

26" (66 cm)

Surface Dimensions

Surface Width

36" (91 cm)

Surface Length

80" (203 cm)

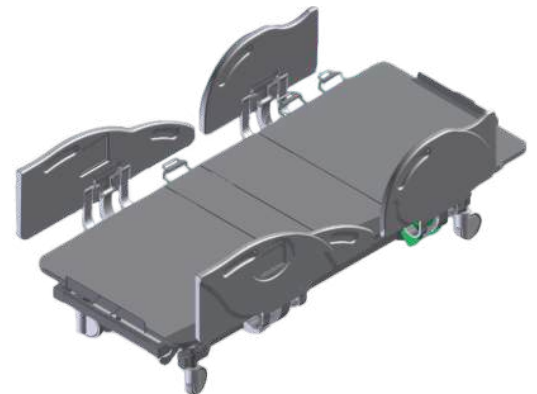
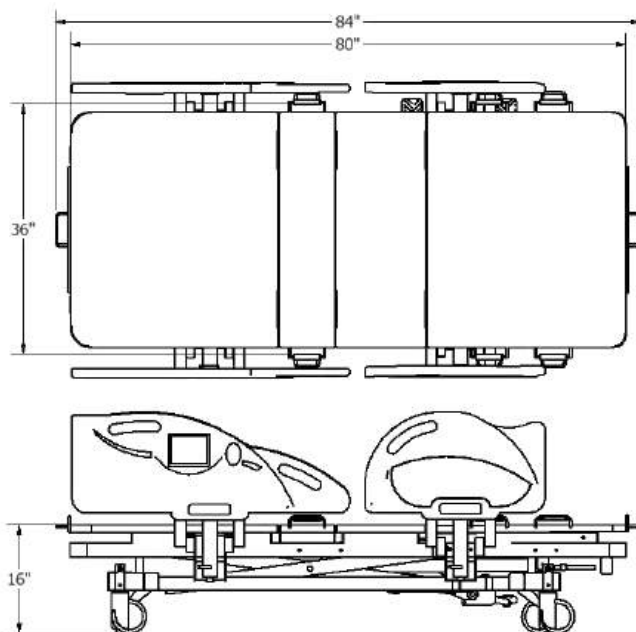
Weight Capacity & Caster Dimension

Maximum Weight Limit

300 lbs (136 kg)

Caster Diameter

5" (13 cm)



Amico Beds Corporation reserves the right to change product specifications without notice.

Warranty: One year parts only.

Amico Beds Corporation | 85 Fulton Way, Richmond Hill, ON L4B 2N4, Canada | 600 Prime Place, Hauppauge, NY 11788, USA
Toll Free Phone: 1.877.462.6426 | Toll Free Fax: 1.866.440.4986 | Tel: 905.764.0800 | Fax: 905.764.0862 | www.amico.com

AB-SP-B-M-AC-PSYCH-BED 12.08.2022

