

# Seclusion Bed



## **Key Features:**

- Durable stainless steel design
- Bolted to floor for stability
- Easy to set up, assemble and clean
- 8 restraint loops on the bed. 6 on the sides, 1 on the head, and 1 on the foot
- 20" height from floor to surface
- 300 lbs (136 kg) weight capacity

Amico's Seclusion Bed is designed for use in seclusion rooms. The bed is bolted to the floor, ensuring stability. With a stainless steel design, the Seclusion Bed is strong, durable and easy to clean and maintain. The bed features eight restraint loops underneath the patient surface located at the sides, head and foot of the bed.

# Technical Specifications



## Model Number

Model Number

B-M-AC-SECL-001

## Overall Dimensions

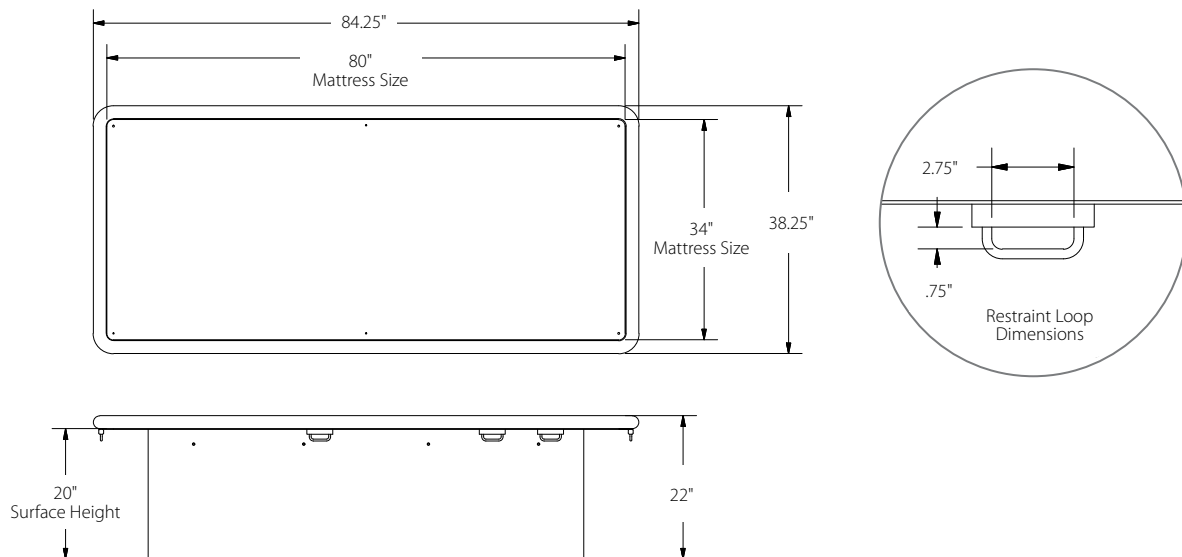
Overall Length	84.25" (214 cm)
Overall Width	38.25" (97 cm)
Overall Height	22" (56 cm)
Surface Length	80" (203 cm)
Surface Width	34" (86.4 cm)
Surface Height	20" (51 cm)
Restraint Loop Dimensions	2.75" x .75" (7 cm x 2 cm)

## Weight Capacity

Weight Capacity

300 lbs (136 kg)

## Dimensions



Amico Beds Corporation reserves the right to change product specifications without notice.

**Warranty:** One year parts on manufacturing defects only.

