



Sunflower Warmer



Simple and Versatile

Total support from postnatal treatment to NICU care.
The most suitable model can be chosen from a cost-effective line up.

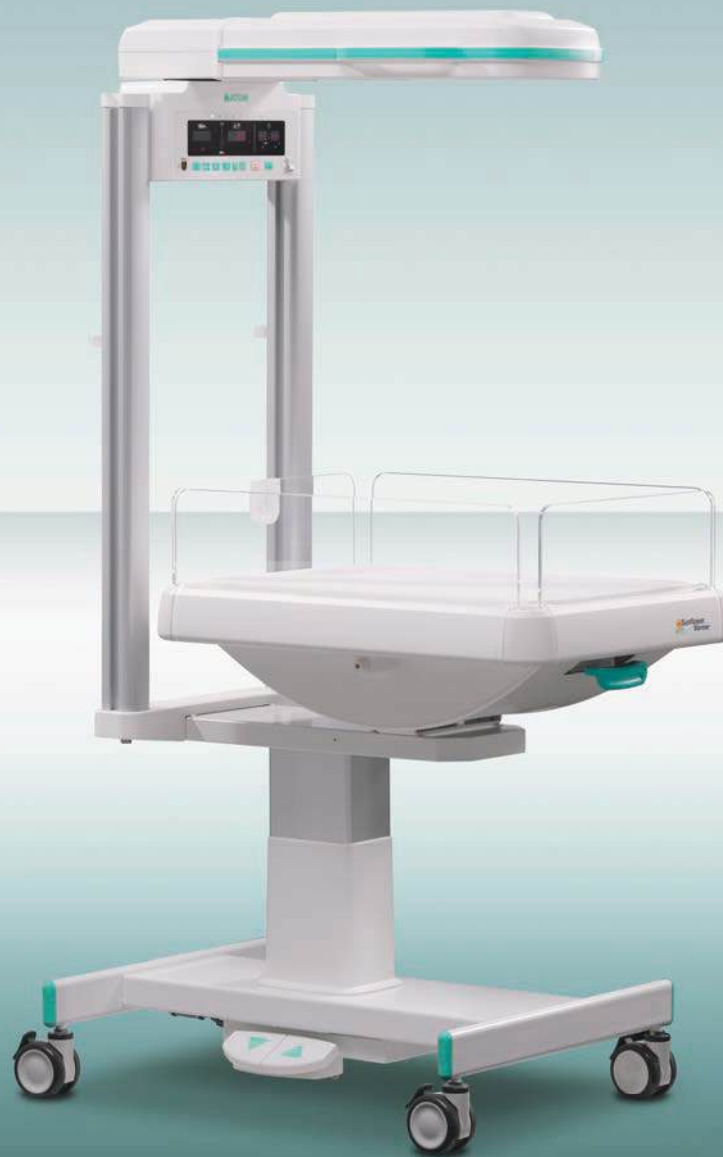
Wall Mount



Cabinet/Tilt



Hi-Low/Tilt



Cabinet



Stand



Sufficient optional accessories to neonatal care
can be mounted.

Surgical operations can be performed safely in the NICU.

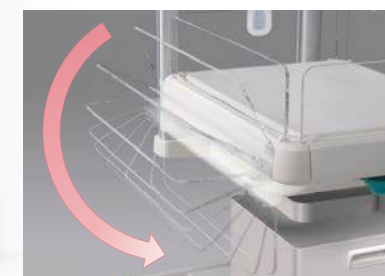


◆ **Wide accessible workspace for surgical treatment**

- Easy to handle the anesthetic equipment.
- A range of peripheral devices such as resuscitation unit (T-piece resuscitator, oxygen blender and suction unit), phototherapy unit, examination light, weight monitor, syringe pump, etc. can be mounted through F-Rail.

*“Baby-friendly” function
to relieve infant’s stress.*

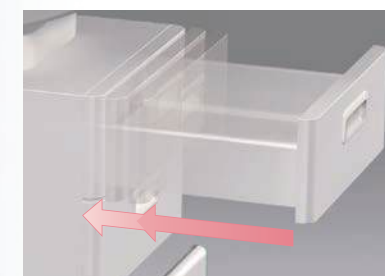
◆ **Reduces the infant's stress
and supports daily care giving**



- Baby-guard with very quiet rotary damper.



- Double-wheel caster enables stable and smooth transportation.



- Self closing doors that close slowly and silently.
*The drawer shown is optional.

Hi-Low/Tilt

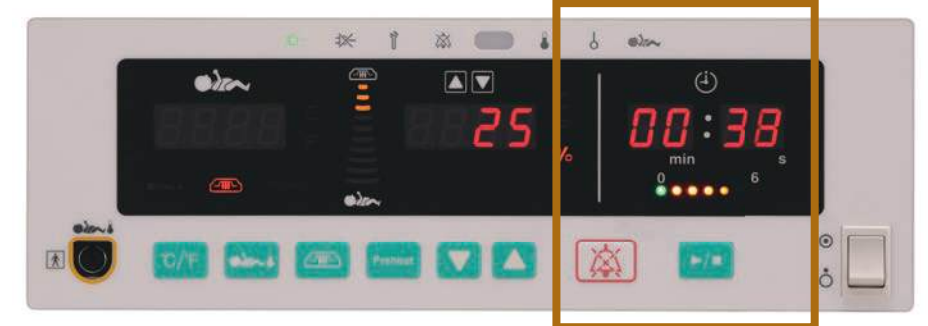
* The drawer shown is optional

Best for urgent postnatal treatment.

Prompt and safe resuscitation can be performed.

◆ **Resuscitation treatment in compliance with ILCOR Consensus 2010 can be achieved.**

- CPR Timer prompts the user to assess the health condition of the infant every 30 seconds.



- Resuscitation unit (T-piece resuscitator, oxygen blender and suction unit) and weight monitor, etc. can be mounted to F-Rail.



Cabinet/Tilt



Stand

Utility design.

Sunflower Warmer
Hi-Low/Tilt



HL Stand	✓
Fixed Stand	—
Apgar Timer	✓
CPR Timer	✓
Mattress platform tilting	✓
Rotary damper	✓
Drawer	▲
Cabinet	—
Double-wheel Caster	✓
Single-wheel Caster	—
X-Ray cassette tray port	✓

✓ : Included as standard
— : Not available ▲ : Optional

Sunflower Warmer
Cabinet/Tilt



HL Stand	—
Fixed Stand	✓
Apgar Timer	✓
CPR Timer	✓
Mattress platform tilting	✓
Rotary damper	✓
Drawer	—
Cabinet	✓
Double-wheel Caster	✓
Single-wheel Caster	—
X-Ray cassette tray port	✓

✓ : Included as standard — : Not available

Sunflower Warmer
Cabinet



Steel



Wood

HL Stand	—
Fixed Stand	✓
Apgar Timer	✓
CPR Timer	✓
Mattress platform tilting	—
Rotary damper	✓
Drawer	—
Cabinet	✓
Double-wheel Caster	✓
Single-wheel Caster	—
X-Ray cassette tray port	✓

✓ : Included as standard — : Not available

Maneuverable design.

Sunflower Warmer
Stand



HL Stand	—
Fixed Stand	✓
Apgar Timer	✓
CPR Timer	✓
Mattress platform tilting	—
Rotary damper	—
Drawer	—
Cabinet	—
Double-wheel Caster	—
Single-wheel Caster	✓
X-Ray cassette tray port	—

✓ : Included as standard — : Not available

Space-saving design.

Sunflower Warmer
Wall Mount



HL Stand	—
Fixed Stand	—
Apgar Timer	✓
CPR Timer	✓
Mattress platform tilting	—
Rotary damper	—
Drawer	—
Cabinet	—
Double-wheel Caster	—
Single-wheel Caster	—
X-Ray cassette tray port	—

✓ : Included as standard — : Not available





Atom's code. 60983
Drawer, 2 Layers
For Infa Warmer i/
Sunflower Warmer

Hi-Low Tilt Cabinet Tilt Cabinet
Stand Wall Mount

Self-closing drawer that closes slowly and silently.



Atom's code. 60899
Handle
For F-Rail

Hi-Low Tilt Cabinet Tilt Cabinet
Stand Wall Mount

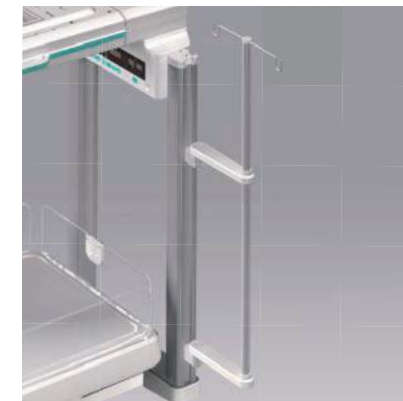
The vertical position of the handle can be adjusted easily according to the height of the operator. It is conveniently used to move Sunflower Warmer to another place.



Atom's code. 61616
MF-Rail
For F-Rail (Left & Right)

Hi-Low Tilt Cabinet Tilt Cabinet
Stand Wall Mount

Use this rail to mount the peripheral devices attachable to the MF-Rail to the F-Rail.



Atom's code. 60893
I.V Pole
For F-Rail

Hi-Low Tilt Cabinet Tilt Cabinet
Stand Wall Mount

With the load capacity of 10kg, this I.V Pole can bear the weight of various peripheral devices.



Atom's code. 61642
Drainage Hanger
For Infa Warmer i/
Sunflower Warmer

Hi-Low Tilt Cabinet Tilt Cabinet
Stand Wall Mount

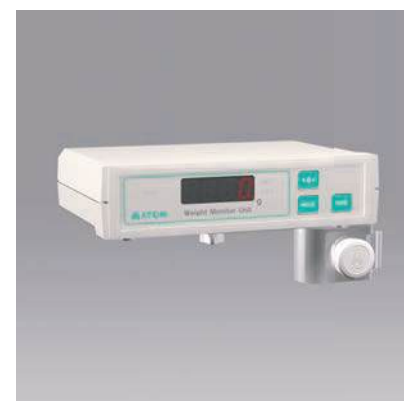
The Drainage Hanger is used to hang a low-pressure continuous aspirator or a drainage bag on the Infa Warmer i.



Atom's code. 60871
Tube Holder
For Infa Warmer i/
Sunflower Warmer /V-505

Hi-Low Tilt Cabinet Tilt Cabinet
Stand Wall Mount

The Tube Holder is attached to the baby guard at the head end of the incubator to hold the patient circuit securely in place.



Weight Monitor Unit
For Infa Warmer i/
Sunflower Warmer

Atom's code	Power requirements
61640	AC120V ±10%
61647	AC230V ±10%

Hi-Low Tilt Cabinet Tilt Cabinet
Stand Wall Mount

You can weight the baby placed on the mattress platform whenever necessary.



Atom's code. 60984
Shelf
For Sunflower Warmer

Hi-Low Tilt Cabinet Tilt Cabinet
Stand Wall Mount

It is a shelf which can place a SpO₂ monitor etc.



Atom's code. 61618
Tray Set (S)
For F-Rail

Hi-Low Tilt Cabinet Tilt Cabinet
Stand Wall Mount

The vertical position of the Tray Set (S) can be adjusted easily according to the height of the operator. Small instruments necessary for routine medical procedures can be placed on this small tray.



Atom's code. 60362
Resusci Flow

Hi-Low Tilt Cabinet Tilt Cabinet Stand Wall Mount

"Resusci Flow" is a resuscitation unit that performs artificial respiration with a stable pressure.

- Simple operation supports resuscitation.
- Safety function to protect newborn's respiration.
- Supports artificial respiration in various situations.



Atom's code. 60894
Basket
w/arm For F-Rail

Hi-Low Tilt Cabinet Tilt Cabinet
Stand Wall Mount

The vertical position of the basket can be adjusted easily as desired. The basket is deep enough to conveniently accommodate tall containers such as bottles of alcohol disinfectant solutions.



Atom's code. 60350
Monitor Table
for Philips monitor
For F-Rail

Hi-Low Tilt Cabinet Tilt Cabinet
Stand Wall Mount

The monitor table for the Philips monitor.



Atom's code. 60361
BILI-THERAPY Spot Type Arm Type

Hi-Low Tilt Cabinet Tilt Cabinet Stand Wall Mount

Effective Phototherapy Treatment and Space-saving

- Effective phototherapy treatment by blue LEDs
Promote early hospital discharge by reducing the treatment time in providing high irradiation intensity and effective wavelength.
- Space-saving
The unit can be mounted on the F-Rail without using a stand for space-saving around the incubator or warmer.
- Switchable to examination lamp with one-touch of a button
As an examination lamp, the condition of an infant can be monitored.
(White LEDs) The dimmer function that is ideal for developmental care is available.

Line Up

Sunflower Warmer		
Type	Atom's code	Description
Hi-Low/Tilt	61564	AC120V±10%
	61565	AC230V±10%
Cabinet/Tilt	61566	AC120V±10%
	61567	AC230V±10%
Cabinet/Steel	61568	AC120V±10%
	61569	AC230V±10%

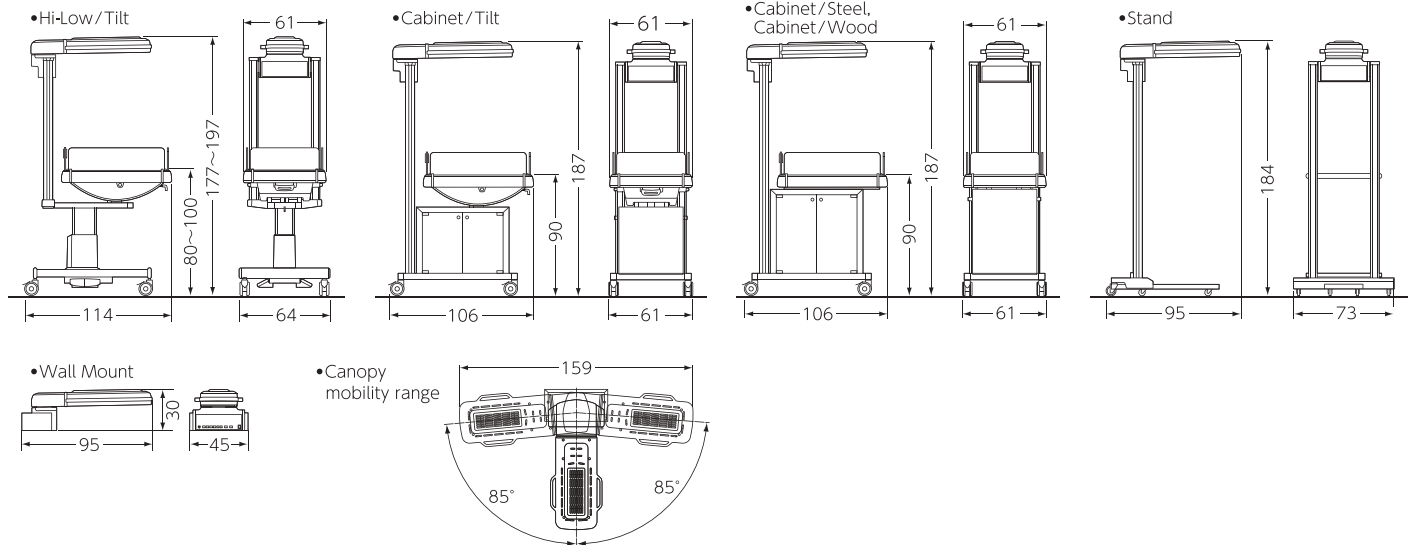
Type	Atom's code	Description
Cabinet/Wood	61570	AC120V±10%
	61571	AC230V±10%
Stand	61572	AC120V±10%
	61573	AC230V±10%
Wall Mount	61574	AC120V±10%
	61575	AC230V±10%

Specifications

Power requirements	Main body:Customer specified Power consumption:700VA Hi-Low stand Power consumption:120VA						
Classification	Class I, Type BF						
Temperature control	Heater capacity:500W Skin temperature display range:30.0~42.0°C Skin temperature setting range:34.0~38.0° Heater output setting range:0~100% (in 5% increments) Heater output indication:In 10 levels Heat level at the preheat mode:24mW/cm ² (heater output:100%) 6mW/cm ² (heater output:30%) Alarms:Set temperature, baby check, power failure, system failure, skin temperature probe						
Timer	0~60 minutes 00 seconds (in one second increments) Apgar mode/CPR mode selectable						
Matress platform tilting	Longitudinal tilt of ±13° (freely adjustable)						
Canopy mobility range	Horizontal rotation:170° (85° both clockwise and counterclockwise)						
Dimensions	Main body (Hi-Low/Tilt):64(W)×114(D)×177~197(H)cm Mattress surface:80~100cm in height Main body (Cabinet/Tilt, Cabinet/Steel, Cabinet/Wood):61(W)×106(D)×187(H)cm Mattress surface:90cm in height Main body (Stand):73(W)×95(D)×184(H)cm Mattress surface:*66~86cm (Available) in height Main body (Wall Mount):45(W)×95(D)×30(H)cm Mattress surface:Depending on the wall mount height						
Weight	Hi-Low/Tilt:Approx. 89kg Cabinet/Tilt, Cabinet/Steel:Approx. 96kg Cabinet/Wood:Approx. 85kg Stand:Approx. 51kg Wall Mount:Approx. 20kg						
Accessories	Type	Hi-Low/Tilt	Cabinet/Tilt	Cabinet/Steel	Cabinet/Wood	Stand	Wall Mount
	Skin Temp Probe	1	1	1	1	1	1
	Dust cover	1	1	1	1	—	—
	Cord holder	2	2	2	2	2	—
	Operation Manual	1	1	1	1	1	1

—: Not available

Dimensional drawing Unit:cm



Manufacturer: ATOM MEDICAL CORPORATION

<http://www.atomed.co.jp>

Exporter: ATOM MEDICAL INTERNATIONAL, INC.

Iwakata Bldg., 3-18-16, Hongo, Bunkyo-ku, Tokyo, JAPAN

Phone: + 81 3 3815 2941 Fax: + 81 3 3812 9670/4080

URL: <http://www.atom-ami.co.jp>